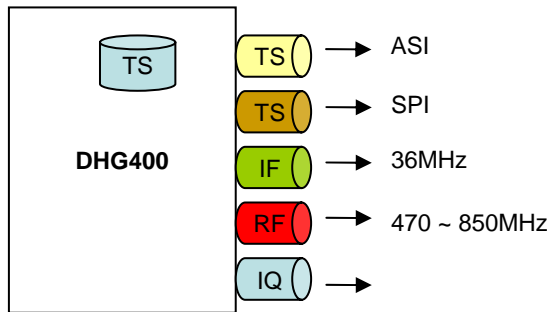


**DVB-H Signal Generator – DHG400**



**● Features**

**•DHG400 System**

- Integrated All-In-One DVB-H Signal Generator (RF/IF/TS/IQ)
- Multiple Signal Generation (MAX 2 Signals/Unit)
- Support DVB-ASI and SPI Output
- Support AWGN Simulation (Optional)
- Support GIPB (Optional)
- T-DMB Module (With COFDM Modulator & Band III, L-Band Upconverter) (Optional)

**•Stream Generation**

- Generating DVB-H transport streams (TS)
- Integrated DVB-H Modulator & UHF Up converter
- Support DVB-H MPE (multiprotocol encapsulation) Stream
- Support DVB-H MPE-FEC (forward error correction) Stream
- Support DVB-H Time Slicing Stream
- Support H.264 & VC-1 Stream & WMG

**•DVB-H Analysis**

- Detection of DVB-H Service In Transport Stream
- Analysis of PIDs of DVB-H MPE Data
- Analysis of MPE-FEC Rows (256/512/768/1024)
- Analysis of  $\Delta t$  (Delta T)
- Analysis of RTP Address & Port Number (Video/Audio Stream)
- Automatic Bitrate Calculation (DVB-T/H Mode)

**•User Friendly Interface**

- Easier Operation By LCD Touch Panel

**● DVB-H Modulator H/W Spec.**

- COFDM Modulator and VHF&UHF Upconverter (DVB-T)
- Input : DVB-ASI, DVB-SPI
- Output : RF/IF/IQ/DVB-ASI  
(DVB-ASI for monitoring the modulated TS file)
- IF Output : 36 MHz
- IQ Signal Output
- RF Output Frequency : 50~ 860MHz (VHF/UHF)  
\*1400 ~1700 MHz L-Band (Optional)
- RF Output Level : -25dBm ~ +25dBm  
\* 0 ~ -120dBm(Optional)
- Channel Bandwidth : 5/6/7/8 MHz
- COFDM Spectrum : 2K, 4K and 8K carriers, non-hierarchical and hierarchical
- Modulation Mode : QPSK, 16QAM and 64QAM
- Guard Interval : 1/32, 1/16, 1/8 and 1/4
- Code Rate : 1/2, 2/3, 3/4, 5/6, 7/8

**Ordering Information**

Base Model	Description
DHG400	DHG400 S/W + DTV400 Frame + DVB-H modulator

Options	Description
Opt. LEV	- Sensitivity Test Module (RF Level 0 ~ -120 dBm)
Opt. AWG	- Noise Generator (AWGN)
Opt. FAD	- Pure Doppler & RAYLEIGH Fading Simulator (6chs)
Opt. TMG	- T-DMB Generator Module
Opt. SMG	- S-DMB Generator Module
Opt. DHC	- DVB-H Capture Module
Opt. DHA	- DVB-H Signal Analyzer Module
Opt. DVT	- Mobile DVB-T Generator Module
Opt. GPB	- GPIB Control
Opt. R2	- Repair Service 2 years



**Specification**

Frames ( User Select)			
Type	Description	Specification	Model
Standard Frame 1		Processor: Pentium4 2.8GHz, Display: 10.4" LCD with touch screen Memory: 1G HDD: 160G or higher OS: Window XP Professional DVD Rom & CD RW Combo USB 2.0 * <b>CE, FCC marked</b>	
Portable Frame		Processor : Pentium4 2.8GHz or Over Display : 12.1~15.1 inch TFT LCD Front Panel (800x600~1024x768) HDD : 160GB ~ 400GB Max. Memory : 2GB OS: MS Windows 2000 or XP M/B : ATX , 5 PCI DVD-RW COMBO (DVD Recorder Optional) Ethernet, USB 2.0 * <b>CE, FCC, UL, CCC marked</b>	
Super Portable Frame		Processor : Pentium 4 1.8GHz CPU Display : 14.1" TFT LCD HDD : 80GB Memory: 1GB or Over DVD-RW COMBO (DVD Recorder Optional) OS : Windows XP 12-32VDC car adapter Expansion unit W/2*PCI (3/4 size)	
Standard Frame 2		Processor : Pentium M 1.7GHz CPU Display : 6.4" TFT LCD Front Panel (640X480) HDD : 80GB Memory: 512MB~1GB OS : Windows XP Pro M/B : IPX, 8PCI ODD : Ethernet, USB2.0	

